

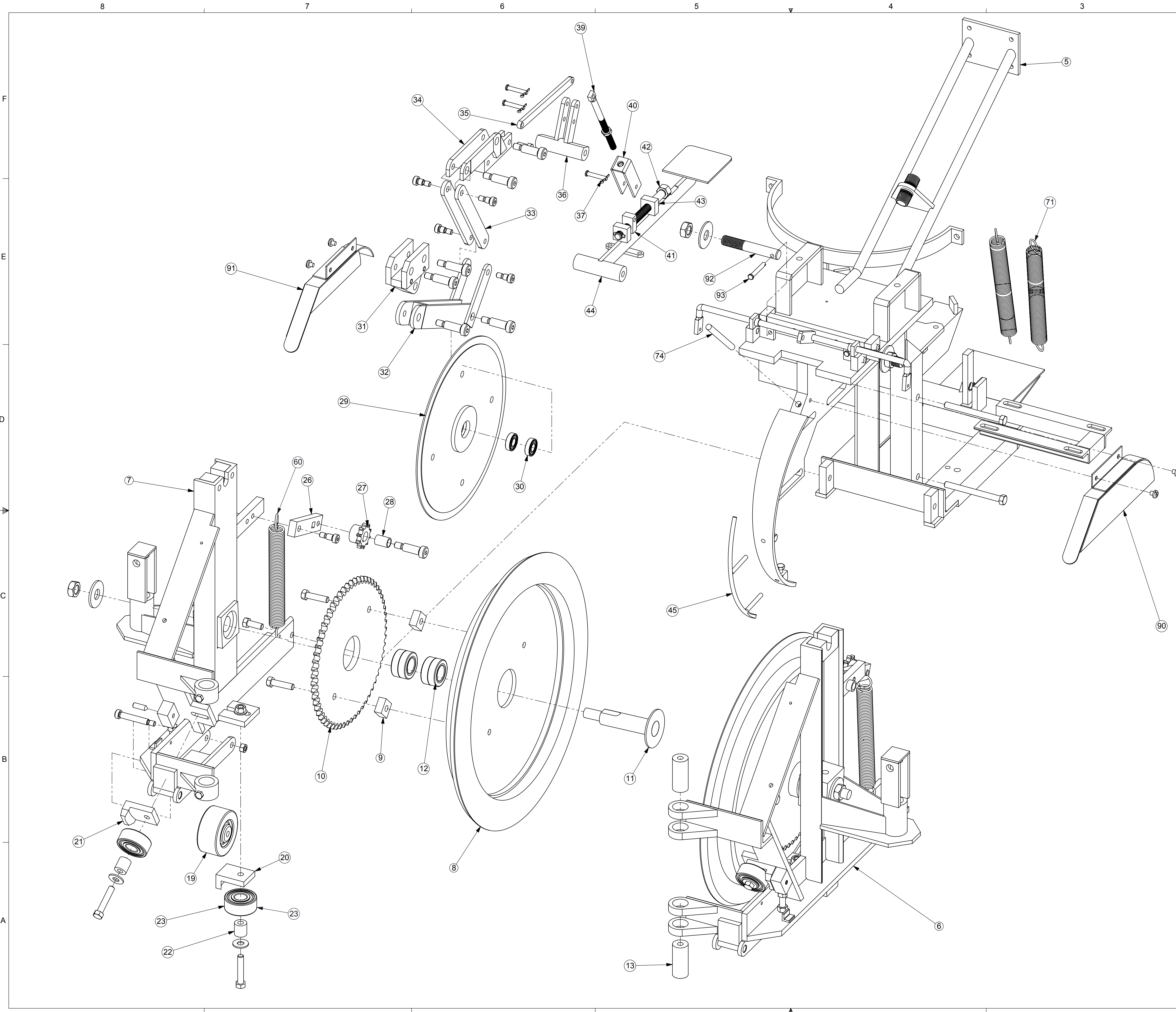
ITEM NO.	PART NUMBER	DESCRIPTION	EXPLODE 1/QTY.
1	59-349	SEAL SPOOL UPRIGHT BEARING	4
2	59-371	REAR CASTER	2
3	59-372	SWIVEL CASTER	2
4	59-104-E	ENGINE	1
14	59-508	SEAL GUIDE FRONT SHOE ASSEMBLY	1
15	59-509	TUBE GUIDE ASSEMBLY FOR 11/16" SEAL	1
16	59-510	TUBE GUIDE ASSEMBLY FOR 13/16" SEAL	1
17	59-511	TUBE GUIDE ASSEMBLY FOR 1 1/4" SEAL	1
18	59-512	GUIDE WHEEL ASSEMBLY COMPLETE	1
24	59-519	CASTER SPACER	2
25	59-520	CASTER MOUNT ASSEMBLY	2
38	59-534	SETUP BAR	1
46	59-542	REEL SEAL GUIDE BRACKET ASSEMBLY	1
47	59-543	REEL SEAL ROLLER LONG	1
48	59-544	REEL SEAL ROLLER SHORT	2
49	59-545	REEL SEAL ROLLER BEARING	6
50	59-546	REEL BRACKET ASSEMBLY	1
51	59-547	REEL BAR	1
52	59-548	REEL HOLDER ASSEMBLY	2
53	59-549	SWIVEL AXLE ASSEMBLY	1
54	59-551	ADJUSTABLE HANDLE ASSEMBLY	1
55	59-552	IDLER ROD CONTROL ASSEMBLY	1
56	59-553	HANDLE	1
57	59-554	CASTER RELEASE CONTROL ROD	1
58	59-555	IDLER LINKAGE MOTOR BRACKET ASSEMBLY	1
59	59-556	IDLER LINKAGE BAR ASSEMBLY	1
61	59-558	DOUBLE OUTPUT GEARBOX	1
62	59-560	ENGINE SHEAVE	1
63	59-561	GEARBOX DRIVE SHEAVE	1
64	59-562	PUMP DRIVE SHEAVE	1
65	59-563	GLUE PUMP DRIVE SHEAVE	1
66	59-564	IDLER PULLEY	1
67	59-568	SASH CHAIN	1
70	59-569	IDLER BRACKET SPRING	1
72	59-571	KEY STOCK	4
73	59-573	GLUE BLOCK MOUNT	1
75	59-575	GLUE BLOCK CENTER MOUNT	1
76	59-576-L	GLUE BLOCK LEFT	1
77	59-576-R	GLUE BLOCK RIGHT	1
78	59-577-01	GLUE BLOCK SPACER PLATE	2
79	59-578	SWIVEL CASTER SPRING	2
80	59-582	HOSE CLAMP	9
81	59-589	RELIEF VALVE	1
82	59-594	RUBBER STRAP	1
83	59-595-L	FRONT OUTSIDE GUARD - LEFT	1
84	59-595-R	FRONT OUTSIDE GUARD - RIGHT	1
85	59-596-L	SMALL PLATE GUARD - LEFT	1
86	59-596-R	SMALL PLATE GUARD - RIGHT	1
87	59-597	GUARD CLIP	2
88	59-598-L	REAR OUTSIDE GUARD LEFT	1
89	59-598-R	REAR OUTSIDE GUARD RIGHT	1
94	59-602	INTAKE PIPE	1
96	59-603	FEED ELBOW	1
97	59-604	HOSE BARB	5
98	59-583-06	GLUE BLOCK FEED HOSE	1
99	59-583-07	PUMP FEED HOSE	1
100	59-583-08	RELIEF HOSE	1
101	59-583-09	PUMP OUTPUT HOSE	1
102	59-583-10	RETURN TANK HOSE	1
103	59-607	BRASS BARB	3
104	59-104-P	GLUE PUMP	1
105	59-609	PIPE TEE	2
106	59-610	CLOSE NIPPLE	3
107	59-612	BRASS BARB	1
108	59-613	STREET ELBOW	1
109	59-614	3 WAY VALVE	1
110	59-617	HANDLE HOOK PLATE	1
111	59-618	BALL VALVE	1
112	59-619	SPACER BLOCK SET	1
169	59-565	ENGINE DRIVE BELT	1
170	59-566	GLUE PUMP BELT	1

UNLESS OTHERWISE SPECIFIED:
 DIMENSIONS ARE IN INCHES
 TOLERANCES:
 FRACTIONAL: ±1/16"
 ANGULAR: MACH ±0.5° BEND ±1°
 TWO PLACE DECIMAL: ±0.005"
 THREE PLACE DECIMAL: ±0.001"
 PROPRIETARY AND CONFIDENTIAL
 THE INFORMATION CONTAINED
 IN THIS DRAWING IS THE SOLE
 PROPERTY OF D.S. BROWN
 ANY REPRODUCTION IN PART
 OR AS A WHOLE WITHOUT
 THE WRITTEN PERMISSION OF
 D.S. BROWN IS PROHIBITED.

D.S. BROWN
 300 East Cherry St. North Baltimore, Ohio 45872

DELASTALL KOMPRESSOR

DRAWN BY: JSM SCALE: N.T.S. SHEET: 1 OF 3
 REV: X DATE: 11-18-08 DRAWING NO:
 JOB: 2008DE18 SIZE: D DE-08-210-01



ITEM NO.	PART NUMBER	DESCRIPTION	Explode 2/QTY.
5	59-500	INNER FRAME WELDMENT	1
6	59-501-L	OUTER FRAME ASSEMBLY	1
7	59-501-R	OUTER FRAME ASSEMBLY	1
8	59-502	COMPRESSION BLADE	2
9	59-503	COMPRESSION BLADE SPACER	4
10	59-504	COMPRESSION BLADE SPROCKET	2
11	59-505	COMPRESSION BLADE SHAFT ASSEMBLY	2
12	59-506	COMPRESSION BLADE BEARING	4
13	59-507	HINGE PIVOT PIN	2
19	59-513	FRONT ADJUSTABLE WHEEL	2
20	59-515	COMPRESSION BLADE LOWER BEARING BLOCK	2
21	59-516	COMPRESSION BLADE UPPER BEARING BLOCK	2
22	59-517	COMPRESSION BLADE SUPPORT BEARING BUSHING	4
23	59-518	COMPRESSION BLADE SUPPORT BEARING	4
26	59-522	IDLER BRACKET	2
27	59-523	IDLER/GEARBOX SPROCKET	4
28	59-524	IDLER SPROCKET BEARING	2
29	59-525	DISCHARGE BLADE WELDMENT	1
30	59-526	DISCHARGE BLADE BEARING	2
31	59-527	DISCHARGE BLADE FRONT SLIDE	1
32	59-528	DISCHARGE BLADE LINKAGE BRACKET ASSEMBLY	1
33	59-529	DISCHARGE BLADE LINKAGE	2
34	59-530	LOWER DISC LINKAGE SLIDE SHOE	1
35	59-531	LOWER DISC LINKAGE ROCKER ARM	1
36	59-532	LOWER DISC LINKAGE ROCKER	1
37	59-533	LOWER DISC CLEVIS PIN WITH COTTER PIN	3
39	59-535	LOWER DISCHARGE LINKAGE SHAFT	1
40	59-536	DISCHARGE U HINGE	1
41	59-537	PEDAL SHOE	1
42	59-538	PEDAL ADJUSTMENT SHAFT ASSEMBLY	1
43	59-539	PEDAL ADJUSTMENT SHAFT ROLL PIN	2
44	59-540	PEDAL FRAME ASSEMBLY	1
45	59-541	INTERNAL SEAL GUIDE	1
60	59-557	CHAIN IDLER SPRING	2
71	59-570	FOOT PEDAL SPRING	2
74	59-574	GLUE BLOCK MOUNTING STUD	1
90	59-599-L	GLUE GUARD, DISC LINKAGE LEFT	1
91	59-599-R	GLUE GUARD, DISC LINKAGE RIGHT	1
92	59-600	FRAME PIN	2
93	59-601	FRAME PIN CLEVIS PIN	2

UNLESS OTHERWISE SPECIFIED:
 DIMENSIONS ARE IN INCHES
 TOLERANCES:
 FRACTIONAL: ±1/16"
 ANGULAR: MACH ±0.5° BEND ±1°
 TWO PLACE DECIMAL: ±0.005"
 THREE PLACE DECIMAL: ±0.001"
 THE INFORMATION CONTAINED IN THIS DRAWING IS THE SOLE PROPERTY OF D.S. BROWN. ANY REPRODUCTION IN PART OR AS A WHOLE WITHOUT THE WRITTEN PERMISSION OF D.S. BROWN IS PROHIBITED.

D.S. BROWN
 300 East Cherry St. North Baltimore, Ohio 45872

DELASTALL KOMPRESSOR

DRAWN BY: JSM SCALE: N.T.S. SHEET: 2 OF 3
 REV: X DATE: 11-18-08 DRAWING NO:
 JOB: 2008DE18 SIZE: D DE-08-210-02