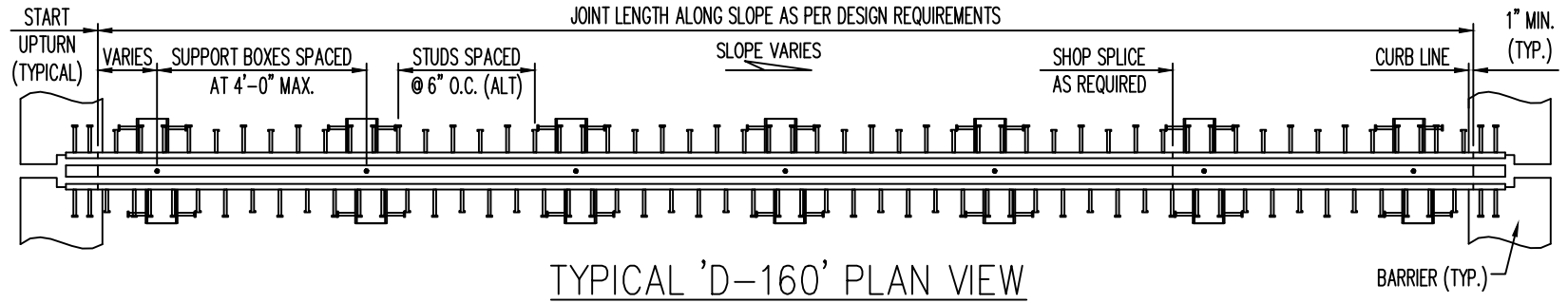
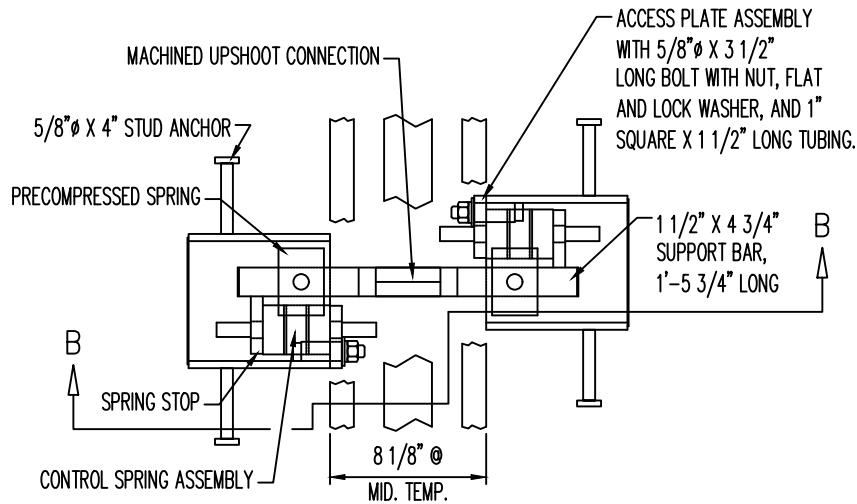


DRAWING NOTES:
 ALL DIMENSIONS SHOWN ARE
 BASED ON A 0° SKEW.

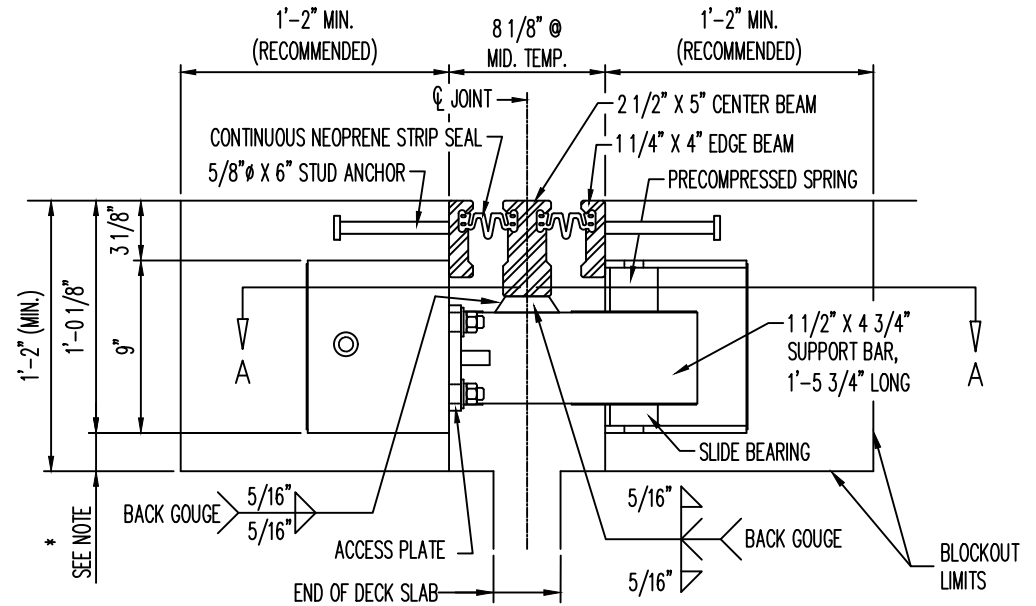
ALL FABRICATED COMPONENTS
 SHALL BE GALVANIZED
 IN ACCORDANCE WITH
 ASTM A123.



TYPICAL 'D-160' PLAN VIEW




DETAIL "A" - PLAN VIEW OF 'D-160'
 EXPANSION JOINT @ SUPPORT BOX



SECTION "B" - TYPICAL SECTION THROUGH
 'D-160' EXPANSION JOINT @ SUPPORT BOX

* NOTE:
 2" SHOWN (APPROX.)
 LESS THAN 2" REQUIRES GROUT PADS,
 3" OR GREATER RECOMMENDED

DS BROWN STANDARD DETAILS FOR STEELFLEX
 'D-160' MODULAR EXPANSION JOINT ASSEMBLY

 NORTH BALTIMORE, OHIO D.S. BROWN www.dsbrown.com	SCALE: N.T.S.	DRAWN BY: JMB	CHECKED BY: -	DATE: 8/12/22	DRAWING NUMBER 1 OF 1
	FOLDER: MODULAR STANDARD DRAWINGS			REVISION:	SHEET D160-PV-S