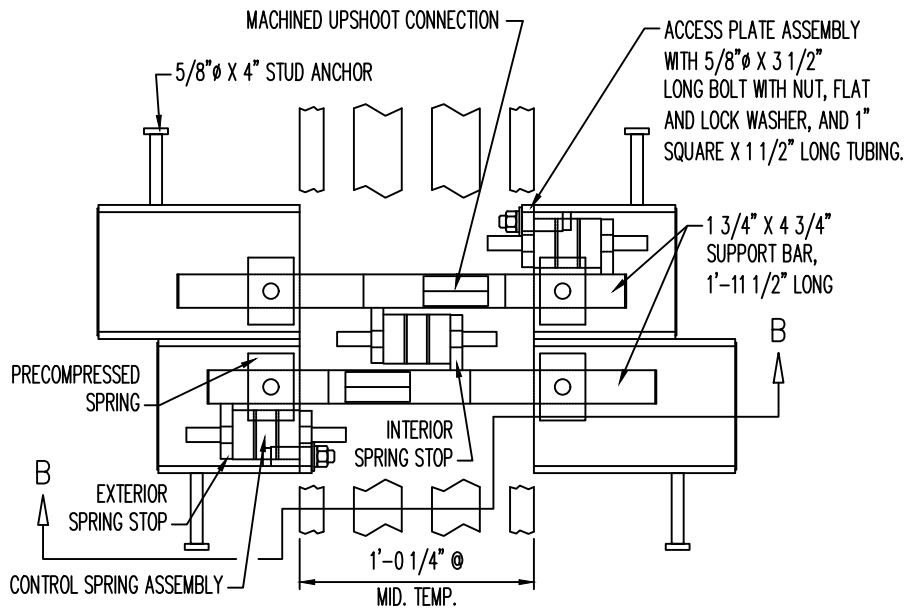
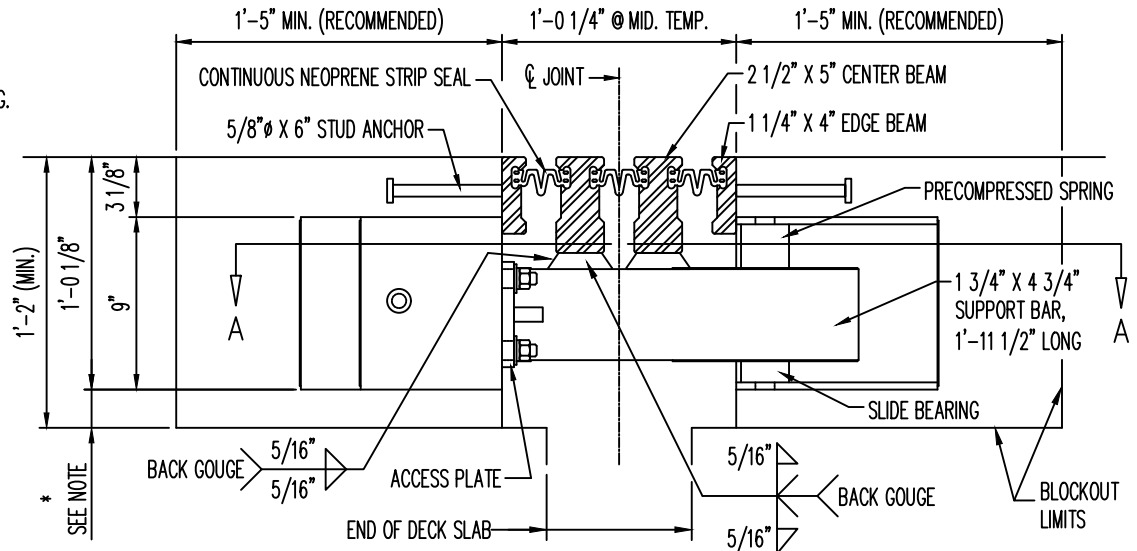


**DRAWING NOTES:**  
ALL DIMENSIONS SHOWN ARE BASED ON A 0° SKEW.

ALL FABRICATED COMPONENTS SHALL BE GALVANIZED IN ACCORDANCE WITH ASTM A123.




**DETAIL "A" - PLAN VIEW OF 'D-240' EXPANSION JOINT @ SUPPORT BOX**



**SECTION "B" - TYPICAL SECTION THROUGH 'D-240' EXPANSION JOINT @ SUPPORT BOX**

**\* NOTE:**  
2" SHOWN (APPROX.)  
LESS THAN 2" REQUIRES GROUT PADS,  
3" OR GREATER RECOMMENDED

**DS BROWN STANDARD DETAILS FOR STEELFLEX 'D-240' MODULAR EXPANSION JOINT ASSEMBLY**

 <p>NORTH BALTIMORE, OHIO <b>D.S. BROWN</b> www.dsbrown.com</p>	SCALE: N.T.S.	DRAWN BY: JMB	CHECKED BY: -	DATE: 8/12/22	DRAWING NUMBER 1 OF 1
	FOLDER: MODULAR STANDARD DRAWINGS			REVISION:	SHEET D240-PV-S