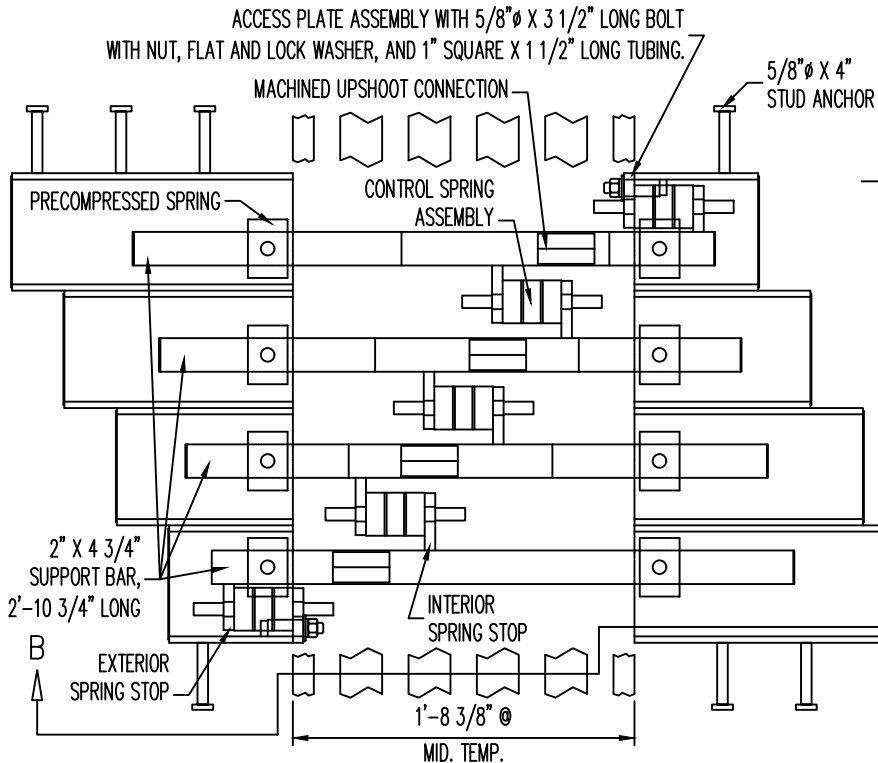
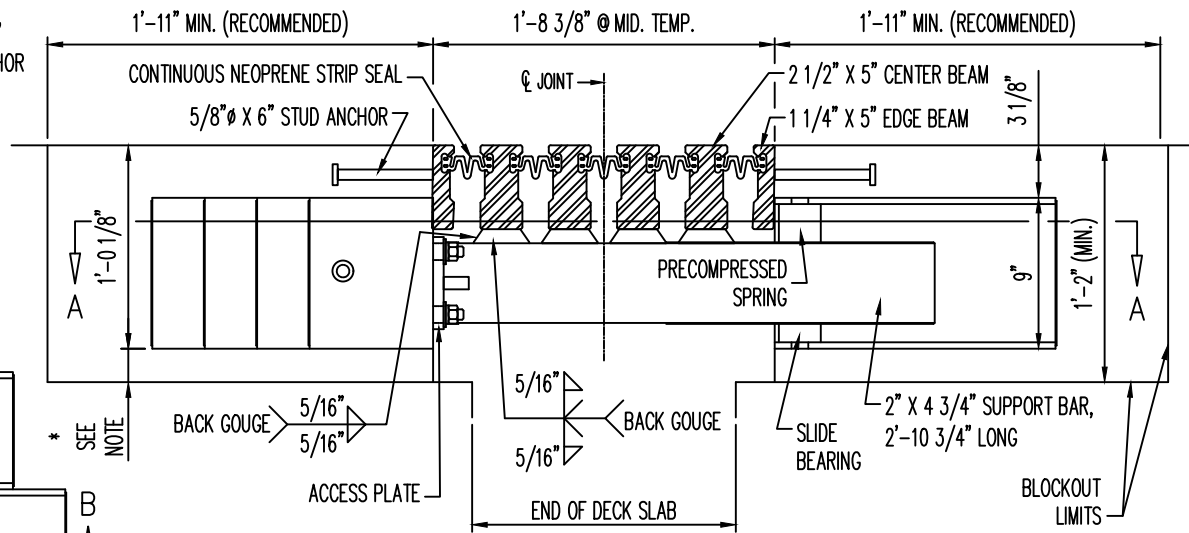


DRAWING NOTES:
ALL DIMENSIONS SHOWN ARE BASED ON A 0° SKEW.

ALL FABRICATED COMPONENTS SHALL BE GALVANIZED IN ACCORDANCE WITH ASTM A123.




DETAIL "A" - PLAN VIEW OF 'D-400' EXPANSION JOINT @ SUPPORT BOX



SECTION "B" - TYPICAL SECTION THROUGH 'D-400' EXPANSION JOINT @ SUPPORT BOX

* NOTE:
2" SHOWN (APPROX.)
LESS THAN 2" REQUIRES GROUT PADS,
3" OR GREATER RECOMMENDED

DS BROWN STANDARD DETAILS FOR STEELFLEX 'D-400' MODULAR EXPANSION JOINT ASSEMBLY

 <p>NORTH BALTIMORE, OHIO D.S. BROWN www.dsbrown.com</p>	SCALE: N.T.S.	DRAWN BY: JMB	CHECKED BY: -	DATE: 8/12/22	DRAWING NUMBER 1 OF 1
	FOLDER: MODULAR STANDARD DRAWINGS			REVISION:	SHEET D400-PV-S