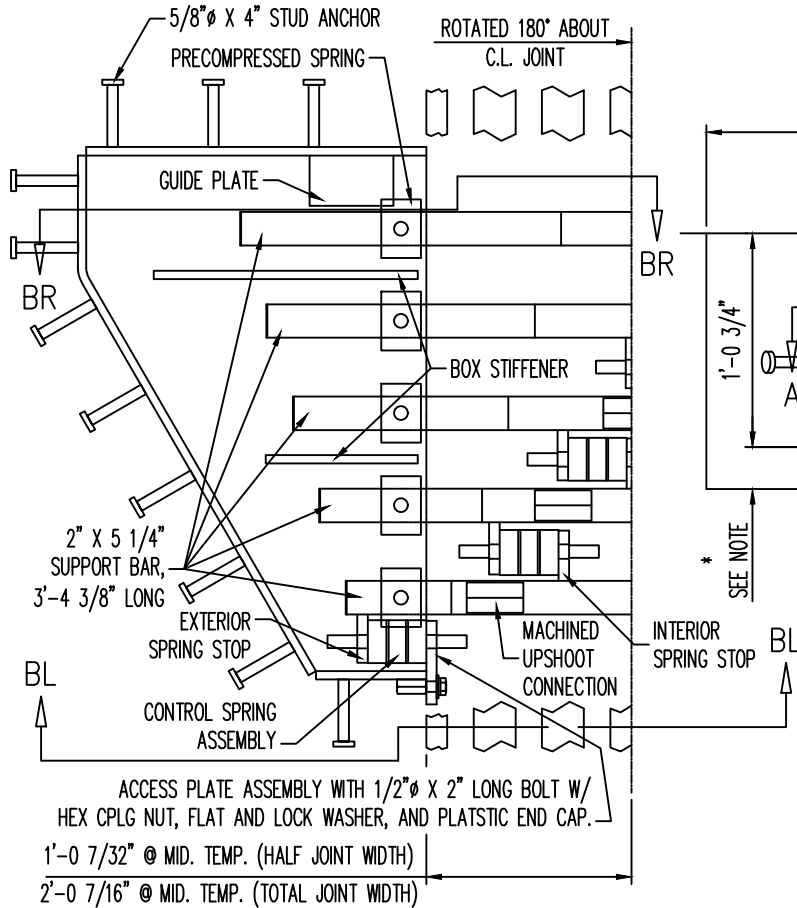


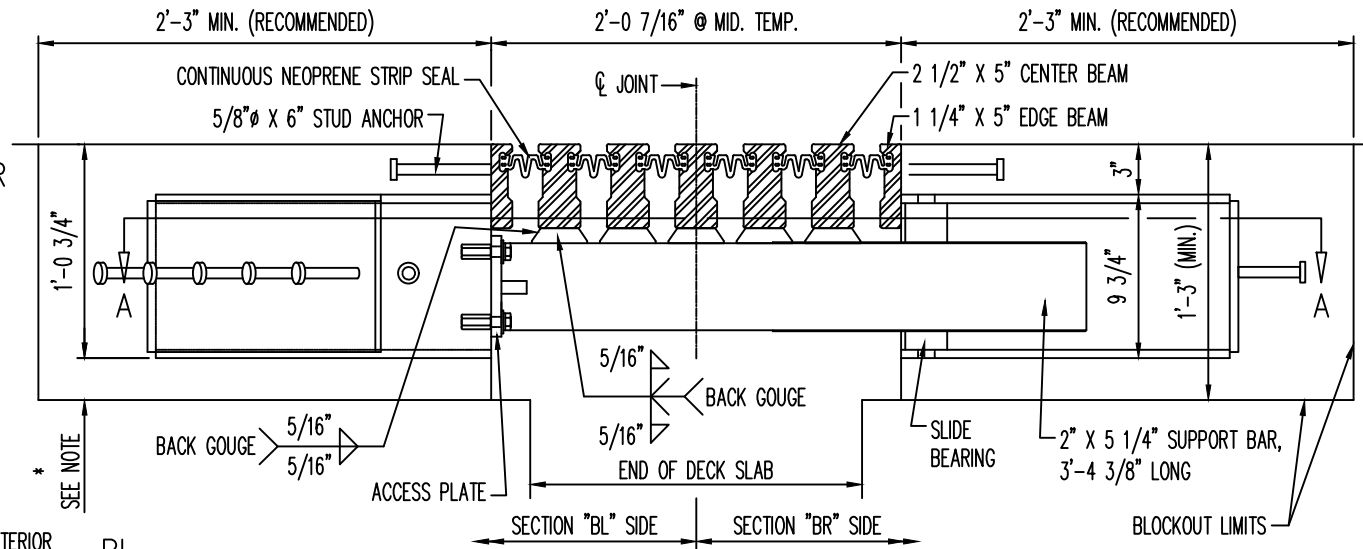
TYPICAL 'D-480' PLAN VIEW

DRAWING NOTES:
ALL DIMENSIONS SHOWN ARE BASED ON A 0° SKEW.

ALL FABRICATED COMPONENTS SHALL BE GALVANIZED IN ACCORDANCE WITH ASTM A123.



DETAIL "A" - PLAN VIEW OF 'D-480' EXPANSION JOINT @ SUPPORT BOX



SECTION "B" - TYPICAL SECTION THROUGH 'D-480' EXPANSION JOINT @ SUPPORT BOX

* NOTE:
2" SHOWN (APPROX.)
LESS THAN 2" REQUIRES GROUT PADS,
3" OR GREATER RECOMMENDED

DS BROWN STANDARD DETAILS FOR STEELFLEX 'D-480' MODULAR EXPANSION JOINT ASSEMBLY

SCALE: N.T.S.	DRAWN BY: JMB	CHECKED BY: -	DATE: 8/12/22	DRAWING NUMBER 1 OF 1
FOLDER: MODULAR STANDARD DRAWINGS			REVISION:	SHEET D480-PV-S

