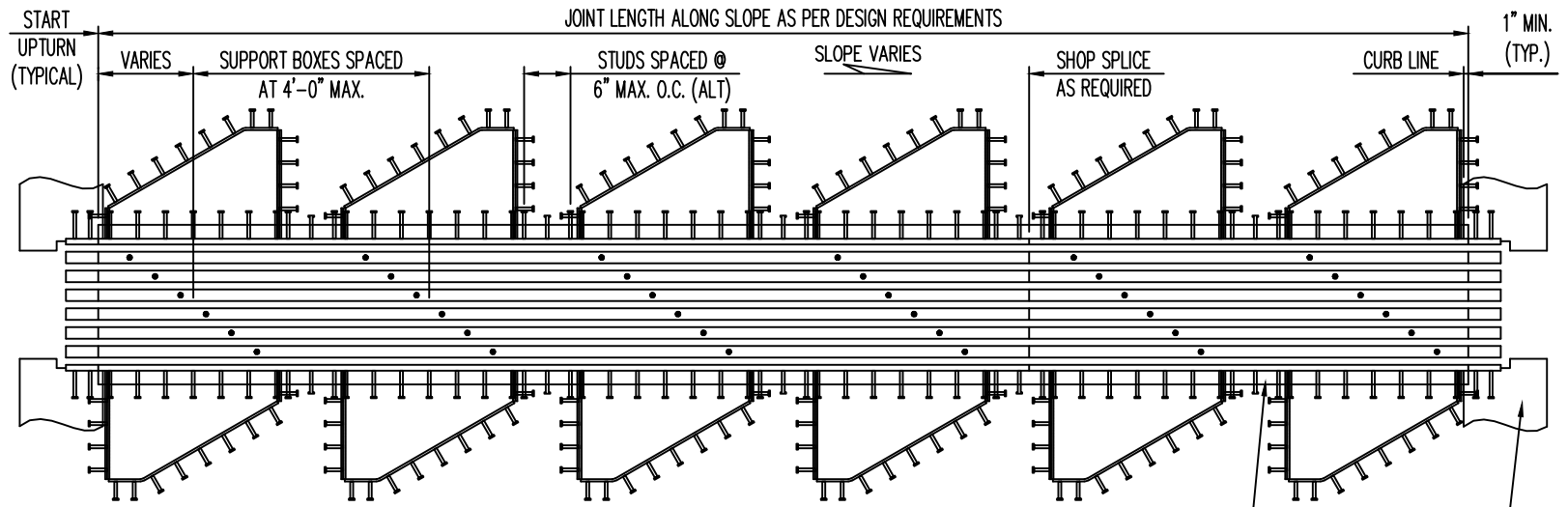
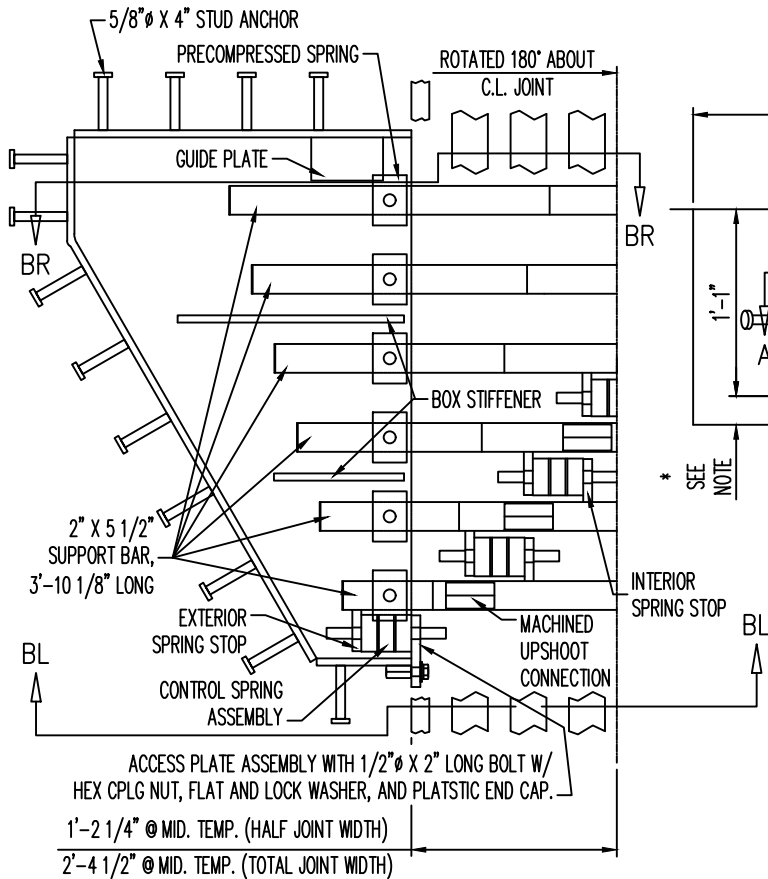


**DRAWING NOTES:**  
ALL DIMENSIONS SHOWN ARE  
BASED ON A 0° SKEW.

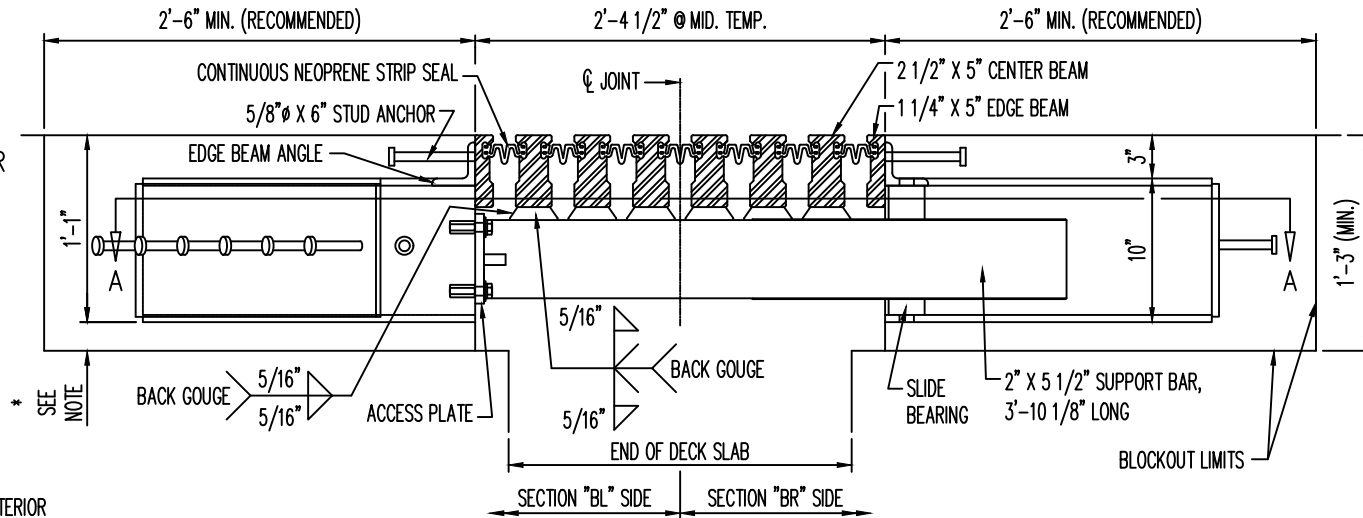
ALL FABRICATED COMPONENTS  
SHALL BE GALVANIZED  
IN ACCORDANCE WITH  
ASTM A123.



TYPICAL 'D-560' PLAN VIEW




DETAIL "A" - PLAN VIEW OF 'D-560'  
EXPANSION JOINT @ SUPPORT BOX  
EDGE BEAM ANGLE NOT SHOWN FOR CLARITY



SECTION "B" - TYPICAL SECTION THROUGH  
'D-560' EXPANSION JOINT @ SUPPORT BOX

\* NOTE:  
2" SHOWN (APPROX.)  
LESS THAN 2" REQUIRES GROUT PADS,  
3" OR GREATER RECOMMENDED

DS BROWN STANDARD DETAILS FOR STEELFLEX  
'D-560' MODULAR EXPANSION JOINT ASSEMBLY

 NORTH BALTIMORE, OHIO www.dsbrown.com	SCALE: N.T.S.	DRAWN BY: JMB	CHECKED BY: -	DATE: 8/12/22	DRAWING NUMBER 1 OF 1
	FOLDER: MODULAR STANDARD DRAWINGS			REVISION:	SHEET D560-PV-S