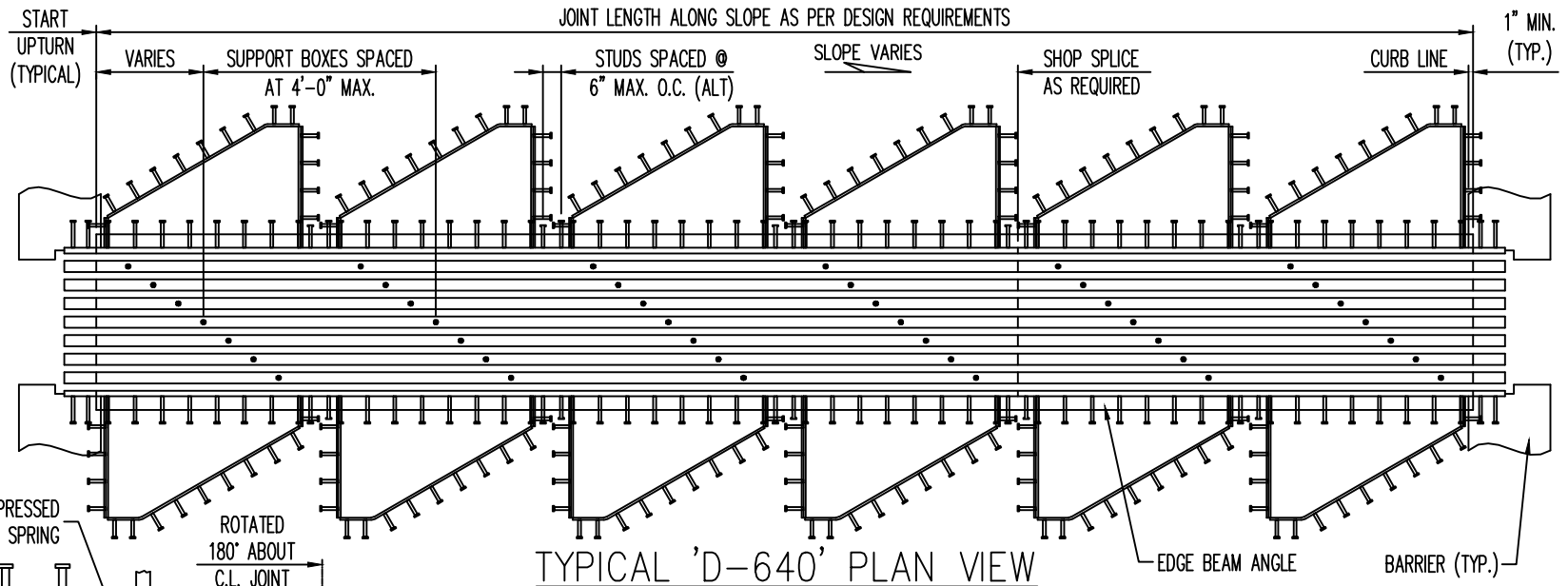
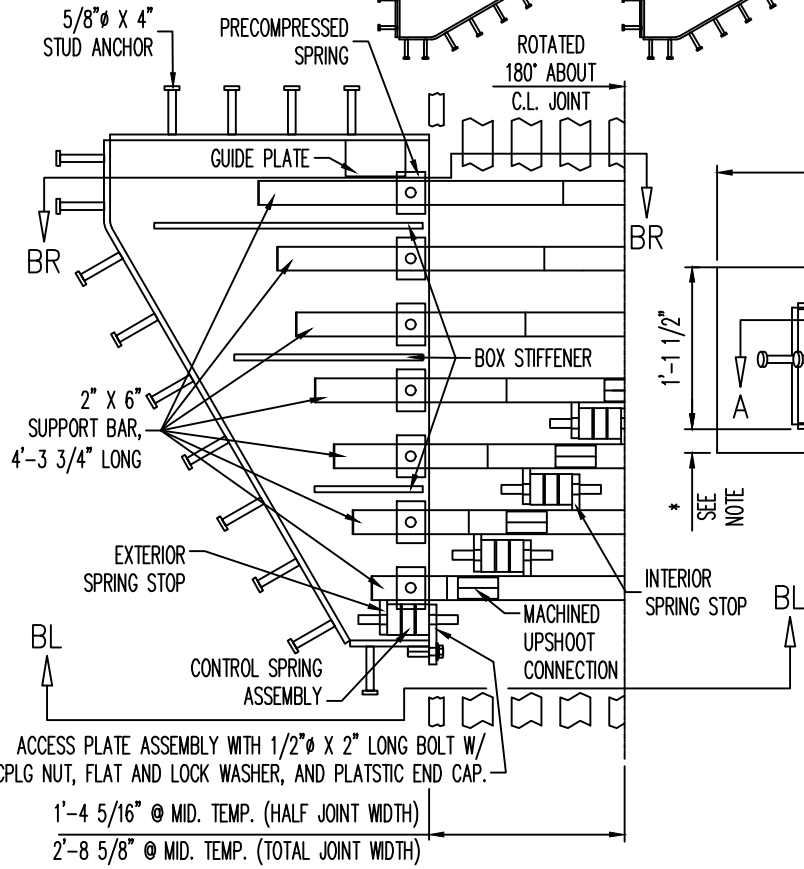


DRAWING NOTES:
 ALL DIMENSIONS SHOWN ARE
 BASED ON A 0° SKEW.

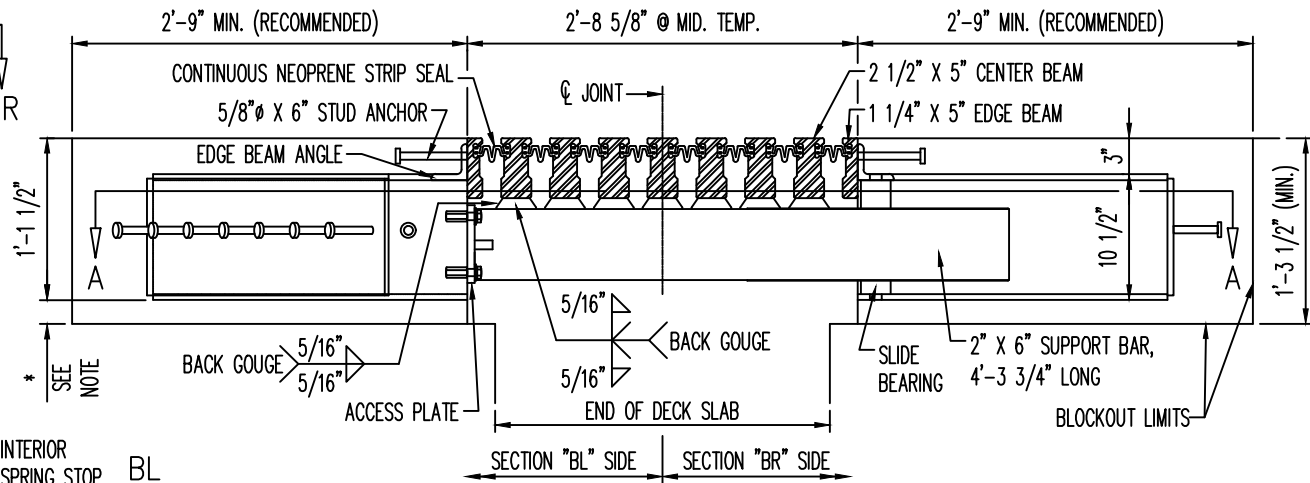
ALL FABRICATED COMPONENTS
 SHALL BE GALVANIZED
 IN ACCORDANCE WITH
 ASTM A123.



TYPICAL 'D-640' PLAN VIEW



DETAIL "A" - PLAN VIEW OF 'D-640'
 EXPANSION JOINT @ SUPPORT BOX
 EDGE BEAM ANGLE NOT SHOWN FOR CLARITY



SECTION "B" - TYPICAL SECTION THROUGH
 'D-640' EXPANSION JOINT @ SUPPORT BOX

* NOTE:
 2" SHOWN (APPROX.)
 LESS THAN 2" REQUIRES GROUT PADS,
 3" OR GREATER RECOMMENDED

DS BROWN STANDARD DETAILS FOR STEELFLEX
 'D-640' MODULAR EXPANSION JOINT ASSEMBLY

SCALE: N.T.S.	DRAWN BY: JMB	CHECKED BY: -	DATE: 8/12/22	DRAWING NUMBER 1 OF 1
FOLDER: MODULAR STANDARD DRAWINGS			REVISION:	SHEET D640-PV-S

