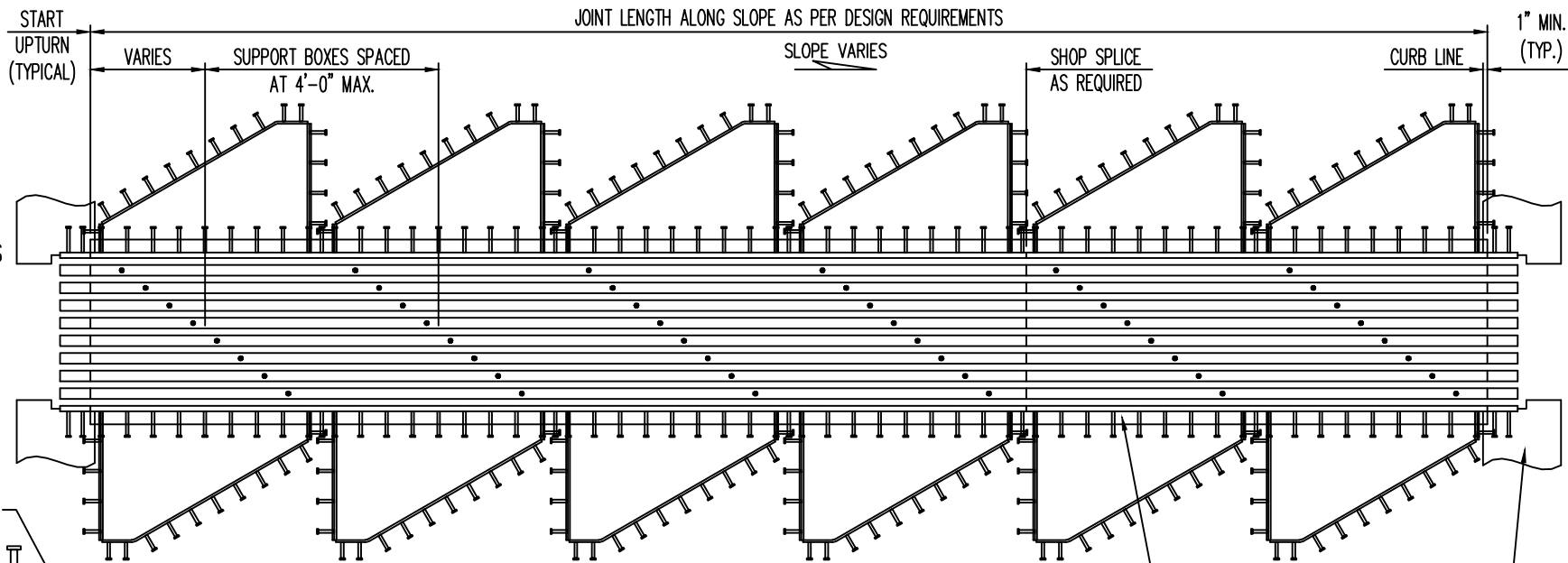
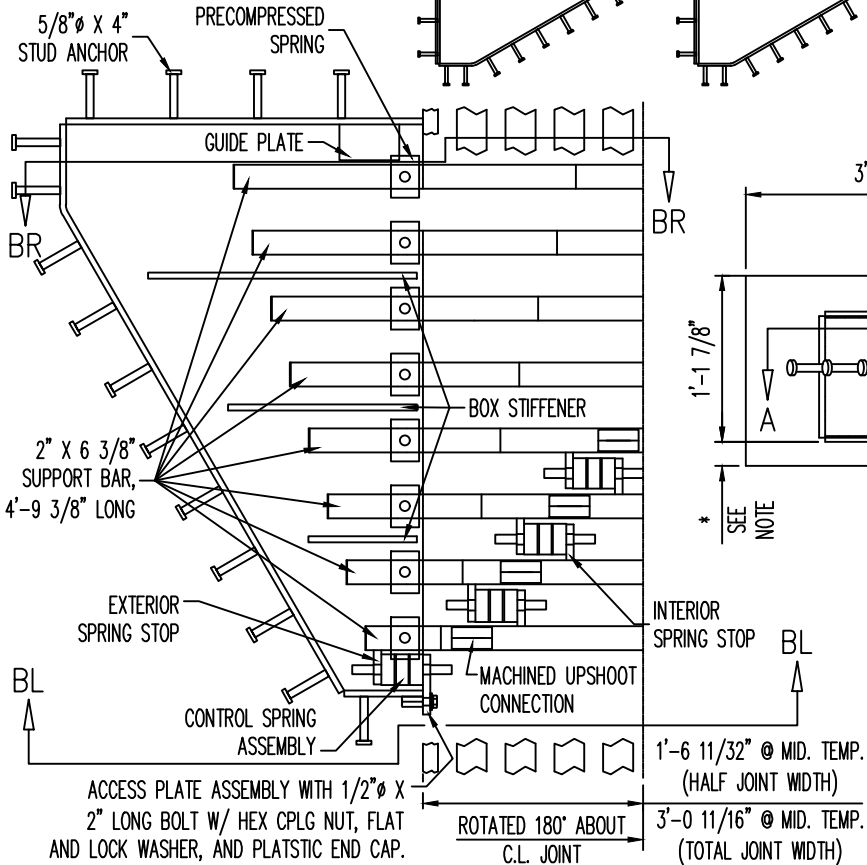


**DRAWING NOTES:**  
ALL DIMENSIONS SHOWN ARE BASED ON A 0° SKEW.

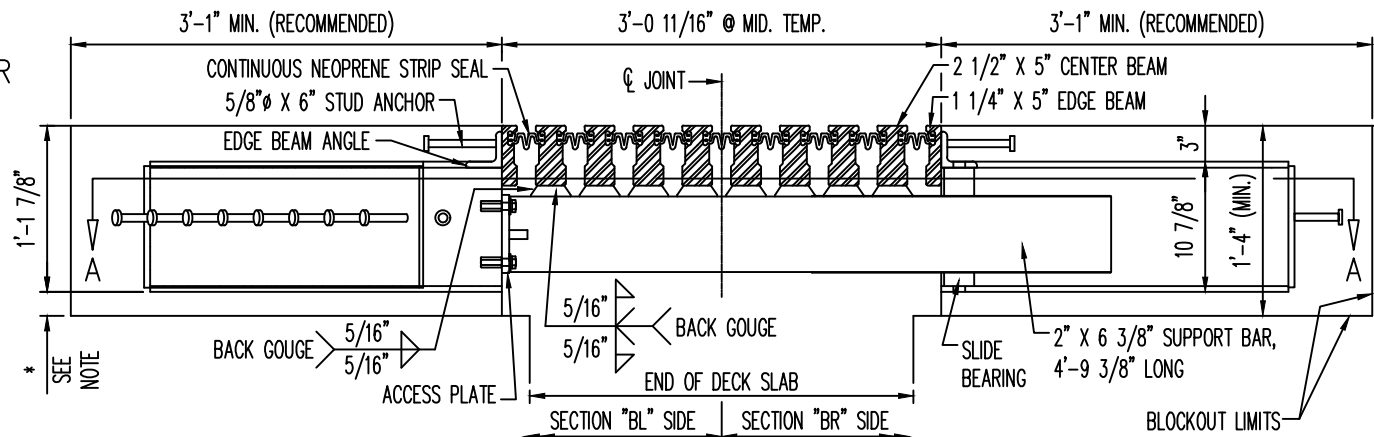
ALL FABRICATED COMPONENTS SHALL BE GALVANIZED IN ACCORDANCE WITH ASTM A123.



TYPICAL 'D-720' PLAN VIEW




DETAIL "A" - PLAN VIEW OF 'D-720' EXPANSION JOINT @ SUPPORT BOX  
EDGE BEAM ANGLE NOT SHOWN FOR CLARITY



SECTION "B" - TYPICAL SECTION THROUGH 'D-720' EXPANSION JOINT @ SUPPORT BOX

\* NOTE:  
2" SHOWN (APPROX.)  
LESS THAN 2" REQUIRES GROUT PADS,  
3" OR GREATER RECOMMENDED

DS BROWN STANDARD DETAILS FOR STEELFLEX 'D-720' MODULAR EXPANSION JOINT ASSEMBLY

 NORTH BALTIMORE, OHIO <b>D.S. BROWN</b> www.dsbrown.com	SCALE: N.T.S.	DRAWN BY: JMB	CHECKED BY: -	DATE: 8/12/22	DRAWING NUMBER: 1 OF 1
	FOLDER: MODULAR STANDARD DRAWINGS			REVISION:	SHEET D720-PV-S