

Structural Bearing Assemblies

Versiflex™ HLMR Disc Bearing Assemblies Fixed DF Series - 10%

Design Basis: AASHTO 17th Edition w/ Interims – Section 14

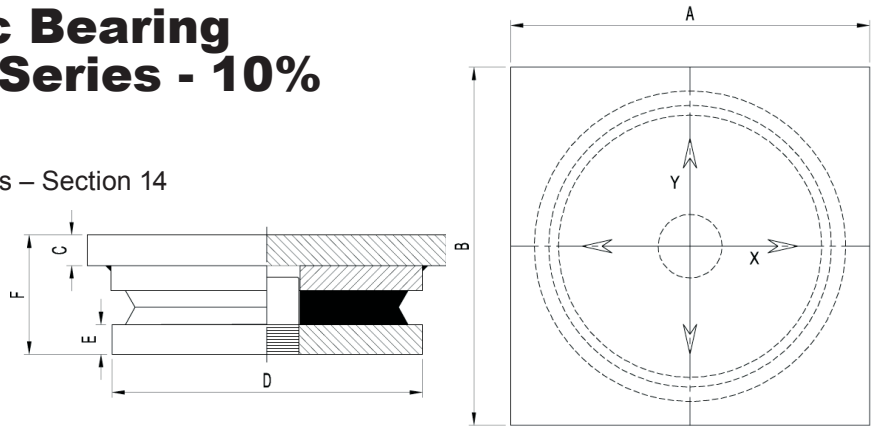
Rotation: 0.02 Radians

Horizontal Capacity: 10% of Vertical Capacity

Movement: X = 0"

Y = 0"

Steel Strength: Fy = 50 ksi



DF SERIES- 10%

Model Number	Vertical Capacity (Klps)	Horizontal Capacity (Klps)	A	B	C	D	E	F
DF100	100	10	8.50	8.50	1.00	7.125	0.750	3.000
DF200	200	20	10.75	10.75	1.00	9.375	0.750	3.500
DF300	300	30	12.50	12.50	1.00	11.125	0.750	3.875
DF400	400	40	13.75	13.75	1.00	12.500	0.750	4.000
DF500	500	50	15.25	15.25	1.00	13.875	0.750	4.250
DF600	600	60	16.25	16.25	1.00	15.000	0.825	4.625
DF700	700	70	17.50	17.50	1.00	16.125	1.000	4.875
DF800	800	80	18.50	18.50	1.00	17.125	1.000	5.125
DF900	900	90	19.25	19.25	1.00	18.000	1.000	5.250
DF1000	1000	100	20.25	20.25	1.00	19.000	1.125	5.625
DF1250	1250	125	22.25	22.25	1.00	21.000	1.250	6.000
DF1500	1500	150	24.25	24.25	1.00	22.875	1.375	6.500
DF1750	1750	175	26.00	26.00	1.00	24.625	1.500	7.000
DF2000	2000	200	27.50	27.50	1.00	26.125	1.500	7.250
DF2250	2250	225	29.00	29.00	1.00	27.750	1.625	7.500
DF2500	2500	250	30.50	30.50	1.25	29.250	1.750	8.250
DF2750	2750	275	32.00	32.00	1.25	30.625	1.750	8.500
DF3000	3000	300	33.50	33.50	1.25	32.125	1.875	8.875

Versiflex™ HLMR Disc Bearing Assemblies
Fixed DF Series - 10%

Structural Bearing Assemblies

2 of 2

Design Considerations

- A. Bearing assembly component dimensions are based on assumed structural conditions and a skew of 0°.
- B. Sole plates are designed for a welded connection to a steel girder flange. Sole plate dimensions will vary for bolted connections to steel flanges and/or for bearings supporting concrete superstructure elements.
- C. Masonry plate information has been excluded from the bearing details. Masonry plate dimensions are based on the allowable bearing stress of the substructure unit and the anchorage requirements.

A recommended method of determining the masonry plate thickness is to use a 60° load distribution through the plate. The effective loaded area should be used to calculate the bending moment of the plate and the concrete bearing pressure.

