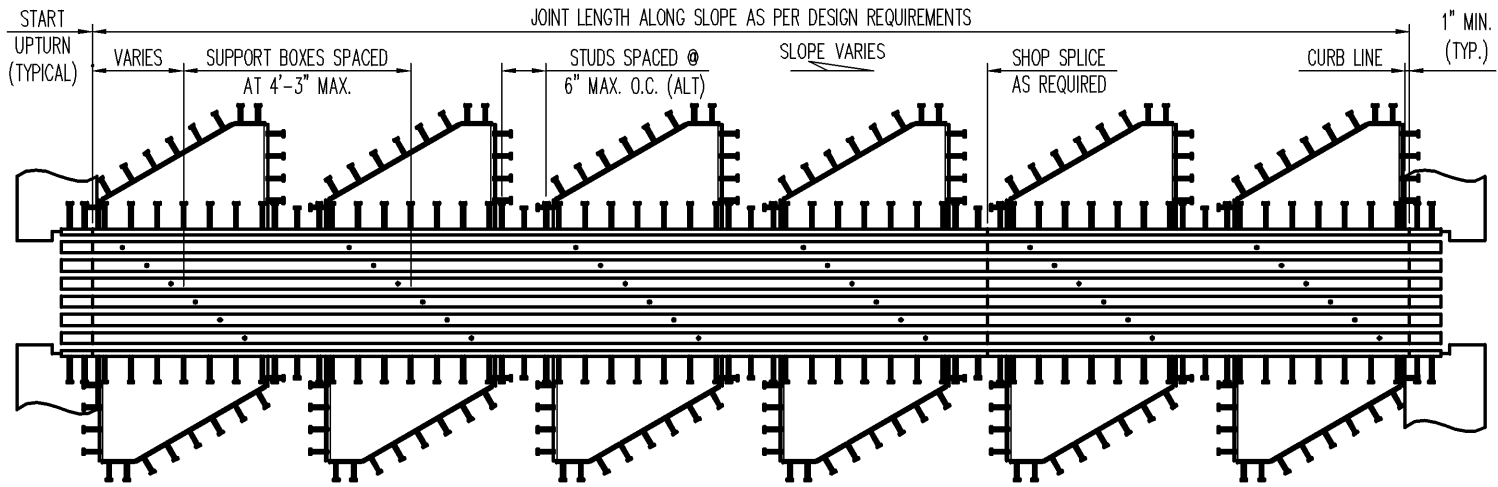


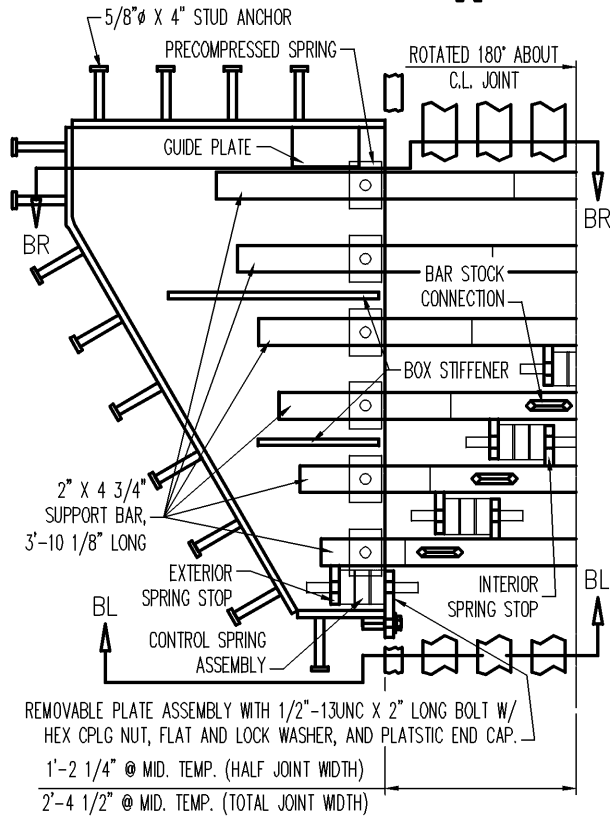
NOTE:

ALL DIMENSIONS SHOWN ARE BASED ON A 0° SKEW.

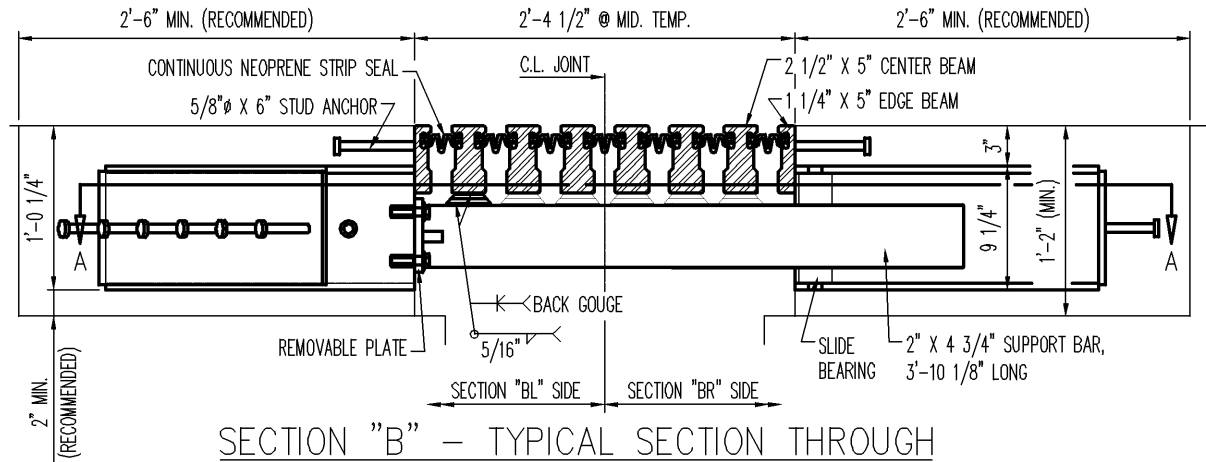
ALL FABRICATED COMPONENTS SHALL BE GALVANIZED IN ACCORDANCE WITH ASTM A123.



TYPICAL 'D-560' PLAN VIEW



DETAIL "A" - PLAN VIEW OF 'D-560' EXPANSION JOINT @ SUPPORT BOX



SECTION "B" - TYPICAL SECTION THROUGH 'D-560' EXPANSION JOINT @ SUPPORT BOX

DS BROWN STANDARD DETAILS FOR STEELFLEX 'D-560' MODULAR EXPANSION JOINT ASSEMBLY

SCALE: N.T.S.	DRAWN BY: BLB	CHECKED BY: -	DATE: 1/4/06	DRAWING NUMBER 1 OF 1
FOLDER: MODULAR STANDARD DRAWINGS			REVISION:	SHEET D560-PV-S

